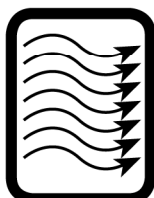
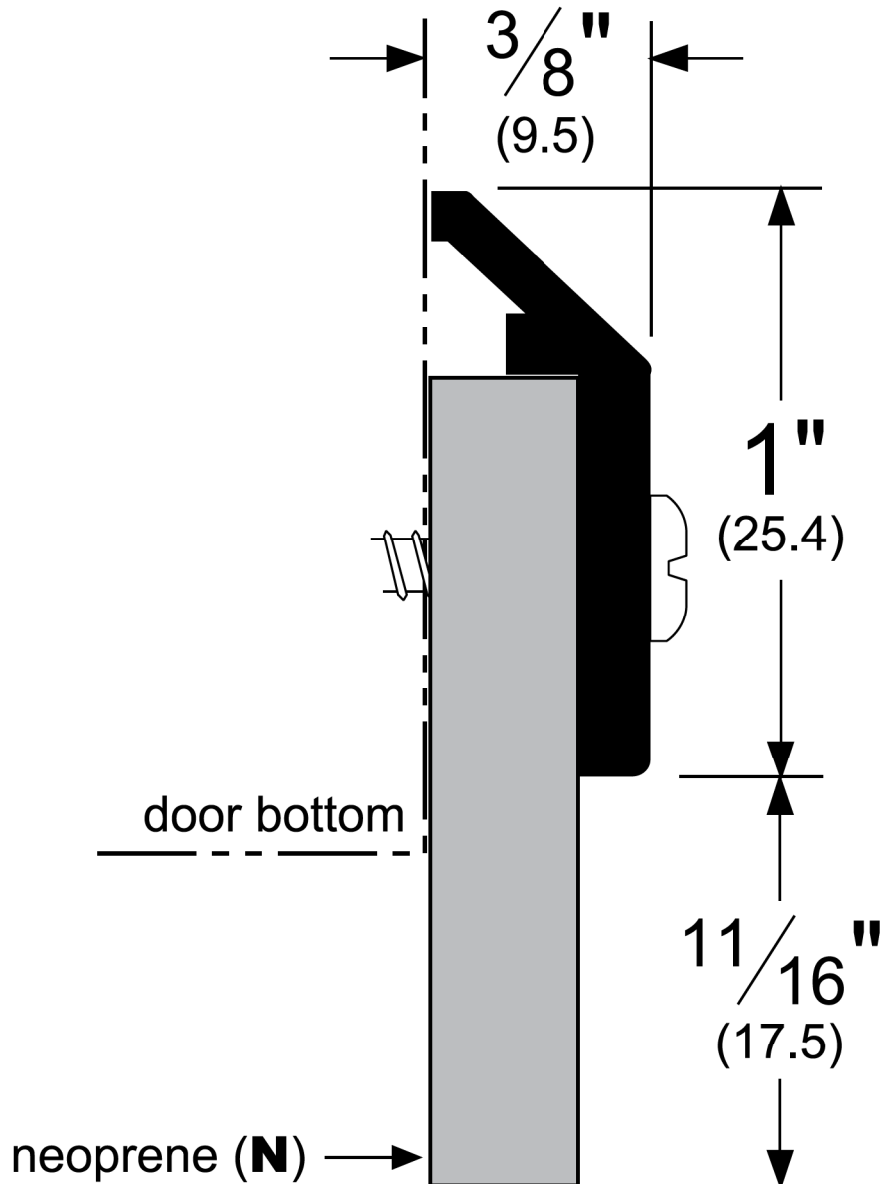


# 368\_N

AVAILABLE FINISHES:

C, D, G



**BHMA**  
CERTIFIED